



SANGUINETI CHIAVARI



Furniture

QuickGroup

on board since 1992

Quick Group, international leader in the nautical equipment sector, operates worldwide in more than 110 countries and it boasts the made in Italy flag since 1992.

From the beginning, the Group has been at the forefront of the time, and today it boasts an ambitious project of technological innovation and union of benchmarks in the nautical market.

At the helm of the Group the CEO and Founder, Michele Marzucco, in partnership since 2022 with Fondo Italiano d'Investimento SGR and Armonia SGR.

Quick Group has overall more than 300 employees and extends its logistics and production capacity over 50,000 square meters between Italy, with its headquarters in Ravenna and a production site in Chiavari, and abroad, with logistics and commercial sites in the United States and in England.





The history of Sanguineti Chiavari began in 1958 when its founder Sanguineti Virginio, thanks to his dynamism and determination, created an important reference point in the nautical sector characterized by a generational business, always internationally appreciated and recognized.

What's the hallmark of Sanguineti products? The privilege of being able to produce completely in Italy, a totally in-house qualified workforce, an enthusiastic synergy between the technical office and the production department.

The old values and knowledge have always been combined with the customer needs, allowing the realization of exclusive projects.

All needs can be satisfied, and this is the strength that has made the company a leader in the production of accessories for yachts, super yachts and workboats and refits.

The Art of Italian Making

Tradition and continuous investments allowed Sanguineti to establish in the world-wide market, addressing the needs of the nautical sector, becoming a state-of-the-art engineering company.







Furniture

Sanguineti branded also the nautical furnishing industry obtaining a worldwide remarkable recognition since the creation of its historical Karin wood chair. Karin furniture series, made of selected wood, is completed with folding chairs, stools and a matched table designed with an adjustable height and it is available with mahogany and teak finishing.

Over the years the furniture line by Sanguineti was further enhanced by the iconic Smeralda series.

The light alloy structure is what definitively identifies the Smeralda.

Also this furniture line is completed with folding chairs, stools and a matched table designed with an adjustable height.

For both series, seat and back are made of canvas, available in various colors.



KARIN

Wooden Series

Karin is a folding easy chair and stool made of selected wood. Available in mahogany and teak finishing, seat and back are made of canvas.

With its adjustable-height tables, the structural elements are made of special wood.





KARIN Chairs

Design Arch. Caliarì

FINISHES

STRUCTURE



Mahogany



Teak

FABRIC



White

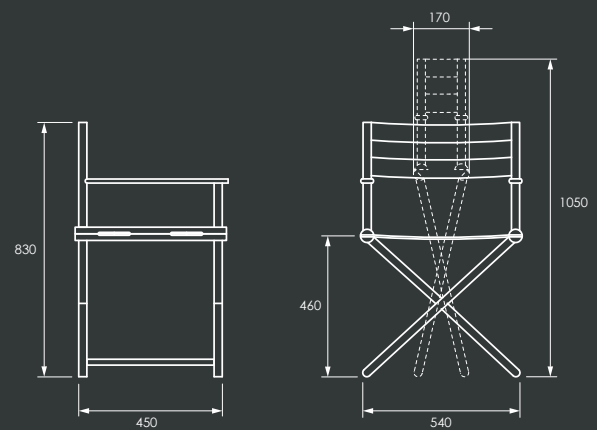


Ecrù



Navy blue

TECHNICAL DRAWINGS





SMERALDA

Aluminium Series

Smeralda is a folding easy chair and stool made of light alloy. The removable covers are realized with outdoor fabric. With its three-levels height adjustable table in light alloy structure and wood top. Top finishing teak or white painted.





SMERALDA Chairs

Design **Versari**

FINISHES

STRUCTURE



Light alloy

FABRIC



White



Ecrù



Navy blue



Bordeaux

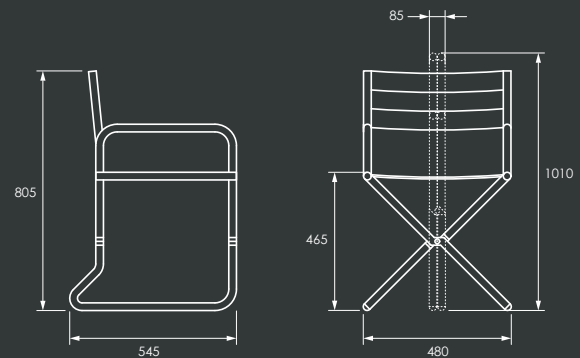


Light blue



Gray

TECHNICAL DRAWINGS





Company subject to the management and coordination of Quick S.p.A.
Via S. Rufino 31 - 16043 Chiavari (GE) Italy
Phone: +39 0185 363324
www.sanguineti.com
info@sanguineti.com