



QuickGroup

Quick Group, international leader in the design, production, and sale of nautical equipment and complex integrated systems for yachts and superyachts, operates in more than 110 countries worldwide.

From the beginning, the Group has stood at the forefront of technological advancement, pursuing an ambitious goal: to promote a short, sustainable, and entirely Made in Italy supply chain, aimed at enhancing the pleasure of boating through cutting-edge integrated solutions.

This vision is embodied by six iconic and technologically advanced brands - MC², Sanguineti, Quick Nautical Equipment, Quick Marine Lighting, Xenta, and Nemo - each representing the highest expression of Italian excellence and innovation.

Headquartered in Ravenna, with three production sites in Italy and logistics and commercial branches in the United States and the United Kingdom, Quick Group continues to strengthen its position as an international benchmark for innovation, quality, and reliability, a true hub of excellence for the nautical sector.

The Group has been working in partnership since 2022 with Fondo Italiano d'Investimento SGR and Armònia SGR.





Sanguineti began its journey in 1958 as a small artisan workshop.

Over the decades, it has grown successfully, earning a considerable reputation in the market.

For over 65 years, Sanguineti has been a benchmark in the superyacht market, with entirely Italian production of hydraulic and electric motion systems, including gangways, ladders and platforms.

Combining tradition and innovation to address the needs of the nautical sector, creating exclusive projects for yachts, superyachts, and top-quality refits.

Today, as part of Quick Group, it is internationally recognized for its unwavering commitment to quality and innovation, blending traditional craftsmanship with modern technology to meet the evolving needs of the yachting world.

THE ART OF ITALY

Tradition and continuous investments allowed Sanguineti to establish in the world-wide market, addressing the needs of the nautical sector, becoming a state-of-the-art engineering brand.



IAN MAKING







Deck Equipment

The production of Retractable Capstans has distinguished Sanguineti in the nautical world for almost seventy years. Throughout the range, the well-known retractable winch, designed by Sanguineti in the early 1990s, was the world's first of its kind. The winch mechanism, either fixed or with motorized up and down movement, eliminates encumbrance on deck, mainly used for mooring.

The diameter of the drum and other characteristics will differ according to the size of the vessel. Designed to support different loads and speeds, electrically or hydraulically driven, the winch is also available in different anodization finishes.

Motorized movement

Mooring capstan with motorised up-down movement in order to eliminate obstruction on deck. Ideal for boats requiring clean designs and sailboats. Two models are available, one in anodised light alloy and the other in polished AISI 316 stainless steel.

The different power ratings make the product ideal for boats from 15 to 50 m.



Closed



Moving up



Ready for operation





Light Alloy

Retractable capstans made of anodized light alloy with up/down motorized movement for eliminating deck obstructions. The range is assembled by double flange with the possibility of horizontal positioning. Electrically or hydraulically driven.

LIGHT ALLOY

FINISHES



Classic aluminum

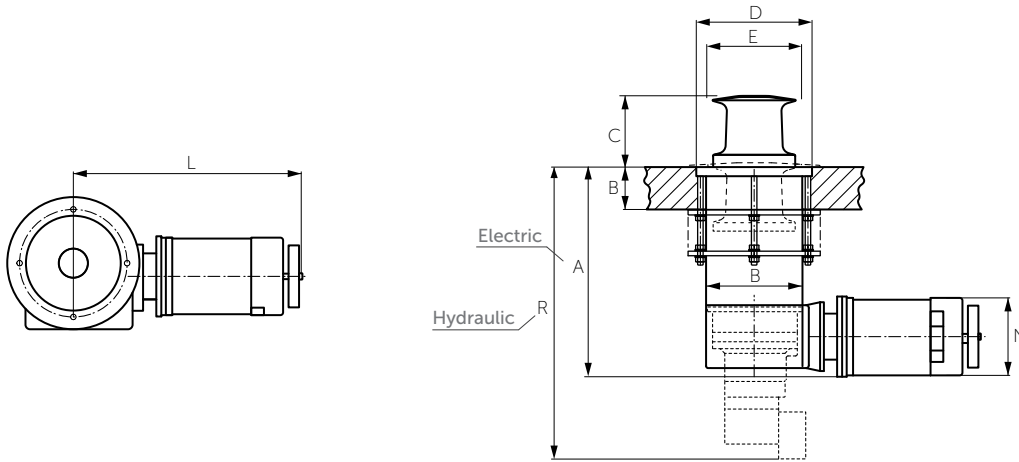


Dark grey aluminum



Black aluminum

TECHNICAL SPECIFICATIONS



ELECTRICALLY DRIVEN										
code	feeding V	power VA	max load kg	size mm						weight kg
				A	B	C	∅ D	∅ E	L	
3700500	12 dc	600	400	465	100	112	180	138	267	35
3700600	24 dc	600	400	465	100	112	180	138	267	35
3710350	12 dc	1000	500	420	140	125	215	168	336	39
3710300	24 dc	1000	500	420	140	125	215	168	336	39
3710200	230/400 3ph	1000	500	435	140	125	215	168	381	44
3710400	24 dc	2000	1200	451	140	156	254	208	500	56
3710500	230/400 3ph	2000	1200	460	140	156	254	208	470	50

HYDRAULICALLY DRIVEN								
code	bar	Max load kg	size mm					weight kg
			B	C	∅ D	∅ E	R	
3750000	200	500	140	125	215	169	610	48
3755000	200	1200	140	156	254	208	640	58



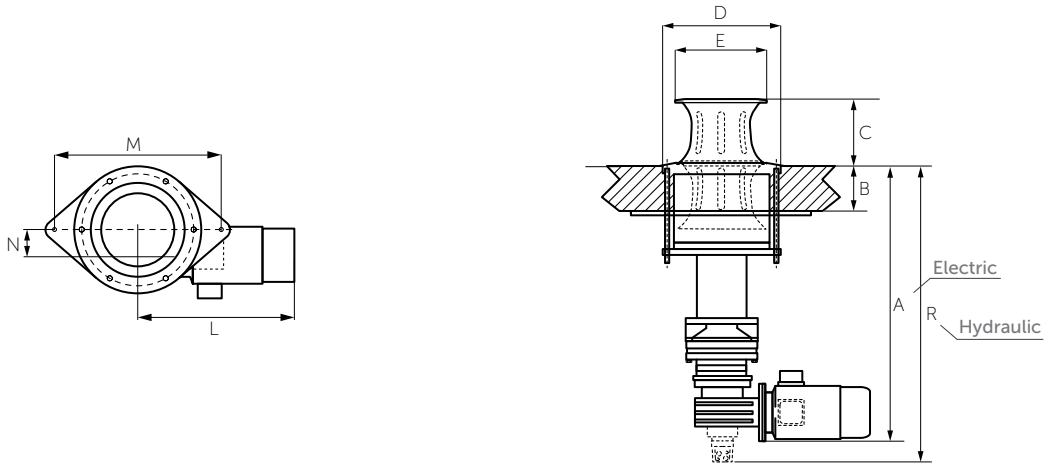
Stainless steel

Retractable capstans made of stainless steel AISI 316 in order to withstand the marine environment without oxidations with motorized up and down movement to remove the deck encumbrance. The range is assembled with double flange. Electric or hydraulic engine type.

STAINLESS STEEL



TECHNICAL SPECIFICATIONS



ELECTRICALLY DRIVEN													
code	Feeding V	Power VA	Max load kg	size mm									weight kg
				A	B min.	B max.	C	∅ D	∅ E	L	M	N	
3711050	12 dc	600	400	465	100	100	112	180	138	250	0	0	42
3711055	24 dc	600	400	465	100	100	112	180	138	250	0	0	42
3711060	12 dc	1000	500	485	100	100	112	180	138	350	0	20	46
3711065	24 dc	1000	500	485	100	100	112	180	138	350	0	20	46
3711070	230/400 3ph	1000	500	485	100	100	112	180	138	350	0	20	46
3711100	24 dc	2000	1200	500	50	150	140	254	195	500	0	30	75
3711200	230/400 3ph	2200	1200	500	50	150	140	254	195	450	0	30	75
3720400	24 dc	3000	1800	614	50	150	178	305	246	450	400	30	104
3720500	230/400 3ph	3000	1600	614	50	150	178	305	246	450	400	30	104
3740200	230/400 3ph	5000	2600	930	50	200	235	400	310	520	550	90	200

HYDRAULICALLY DRIVEN													
code	Work press. bar	Max press. bar	Max load kg	Flow L/min.	size mm								weight kg
					B min.	B max.	C	∅ D	∅ E	M	R		
3750100	200	250	1200	8	50	150	140	245	195	0	685	72	
3750200	200	250	1800	12	50	150	178	305	246	400	774	110	
3756000	200	250	2600	18	50	200	235	400	310	500	950	184	







Company subject to the management and coordination of Quick S.p.A.
Via Alcide De Gasperi 37/Q – 16030 Casarza Ligure (GE) Italy
Phone: +39 0185 363324
www.sanguineti.com
info@sanguineti.com

CDBR5GTRCR02
October 2025

QuickGroup

Via Piangipane 120/A - 48124 Piangipane (RA) ITALY - Tel. +39 0544 415061 - www.quickgroup.com

mc²

Quick[®]
Nautical Equipment

 SANGUINETI

 XENTA

 nemo

Quick[®]
Marine Lighting